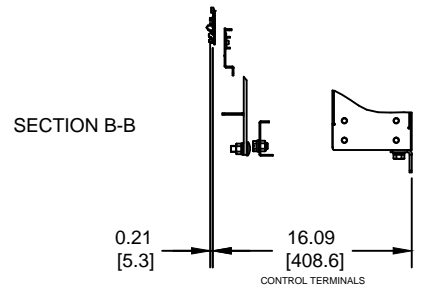
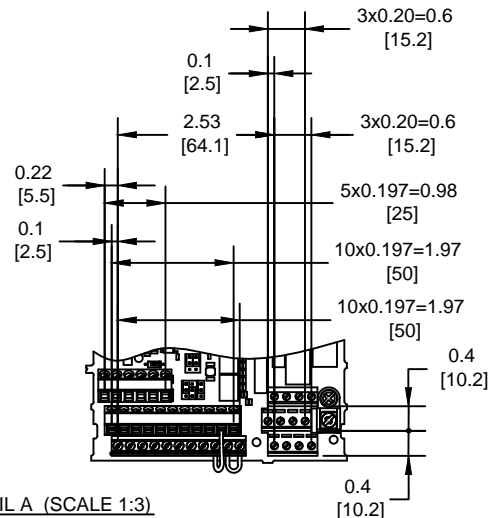
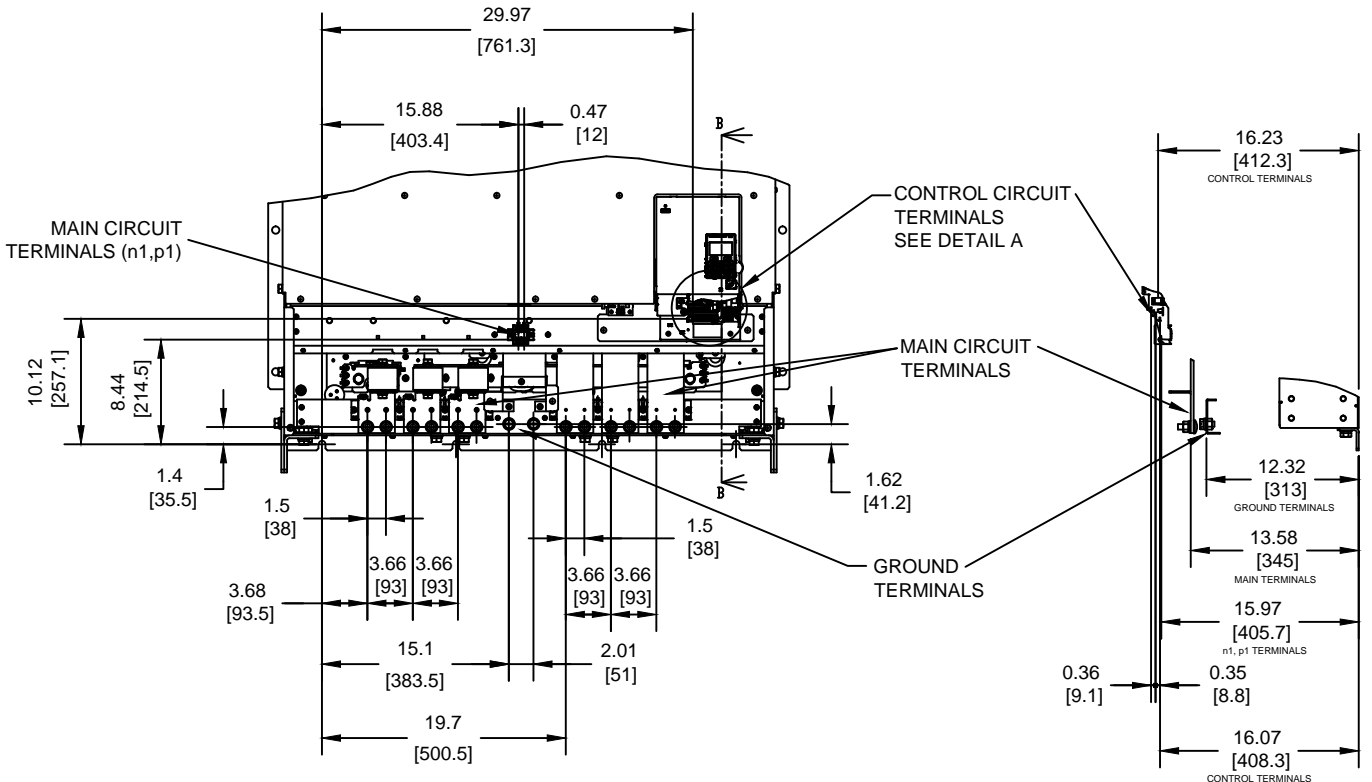


TERMINAL AND WIRING DETAILS (SCALE 1:15)



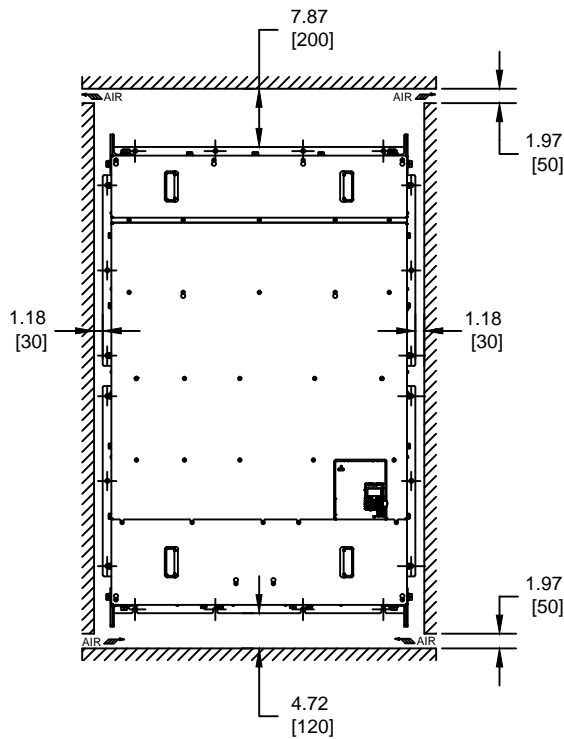
TERMINAL AND WIRE SPECIFICATIONS FOR MAIN CIRCUIT AND GROUND

MODEL # CIMR-UW	TERMINAL SYMBOL	TERMINAL SCREW	CLAMPING TORQUE lb.in.(N.m.)
4□0477	R/L1, S/L2, T/L3	M12	278 TO 347 (31.4 TO 39.2)
	U/T1, V/T2, W/T3		
4□0590	p1, n1	M4	10.4 TO 17.4 (1.2 TO 2.0)
	⊕	M12	278 TO 347 (31.4 TO 39.2)

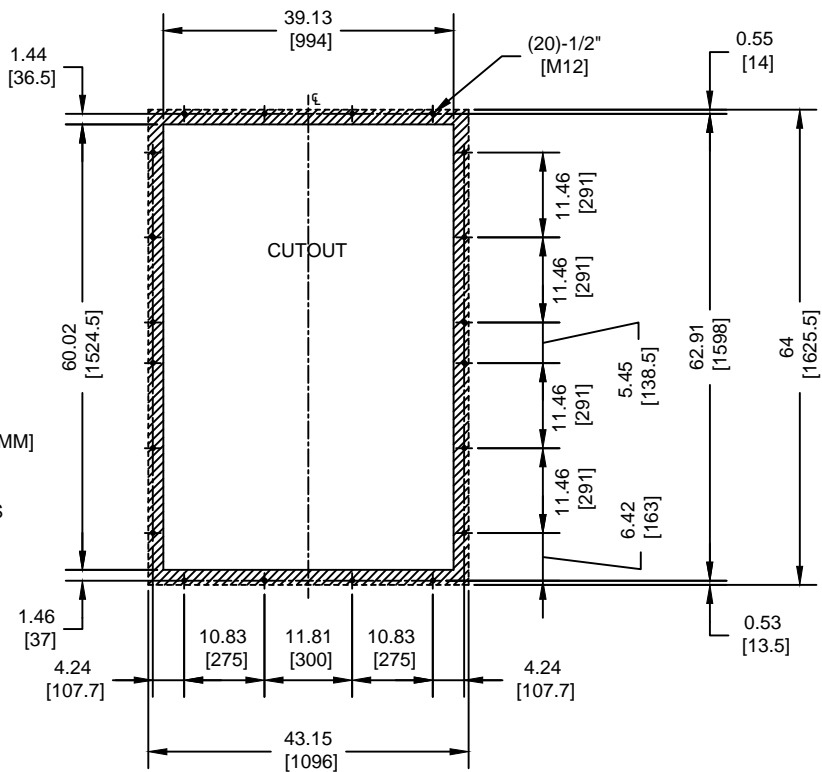
NOTE: REFER TO APPLICABLE CODES FOR PROPER WIRE TYPE AND SIZE

TOLERANCES / REFERENCES:		YASKAWA	DRAWN: J. MATTAS	DATE: 3-13-18	TITLE: U1000 iQpump DIMENSION DRAWING		
			CHECKED: J. PIOTROWSKI	DATE: 3-14-18	FRAME SIZE 6		
		TECH: L. UDDIN		DATE: 3-27-18	IP00 ENCLOSURE		
		APPROVED: J. CAIRO		DATE: 4-2-18	SIZE: A	REVISION: R00	PAGE: 2 of 3
UNITS: IN [mm]	SCALE: BY VIEW	ORIGINAL DESIGN: -		DATE: -	DRAWING #: DD.UW1K.FR6.IP00		
		THIS DOCUMENT AND INFORMATION CONTAINED IN IT ARE CONFIDENTIAL, AND CANNOT BE COPIED OR DISCLOSED IN WHOLE OR IN PART WITHOUT THE EXPRESS WRITTEN CONSENT OF YASKAWA AMERICA, INC.					

MINIMUM INSTALLATION CLEARANCES (SCALE 1:25)



PANEL CUTOUT FOR EXTERNAL HEATSINK MOUNTING CONFIGURATION (SCALE 1:25)



NOTES:

1. CUTOUT TOLERANCE: ± 0.02 " [± 0.5 MM]
2. EXPOSED HEATSINK RECOMMENDED CLEARANCE D=7.09" MINUS PANEL THICKNESS

FOR ADDITIONAL DETAILS AND SPECIFICATIONS, CONSULT MANUAL

TOLERANCES / REFERENCES:		YASKAWA	DRAWN:	J. MATTAS	DATE:	3-13-18	TITLE:		
			CHECKED:	J. PIOTROWSKI	DATE:	3-14-18	U1000 iQpump DIMENSION DRAWING		
		TECH:		L. UDDIN	DATE:	3-27-18	FRAME SIZE 6		
		APPROVED:		J. CAIRO	DATE:	4-2-18	IP00 ENCLOSURE		
		ORIGINAL DESIGN:		-	DATE:	-	SIZE:	REVISION:	PAGE:
UNITS:	SCALE:	THIS DOCUMENT AND INFORMATION CONTAINED IN IT ARE CONFIDENTIAL, AND CANNOT BE COPIED OR DISCLOSED IN WHOLE OR IN PART WITHOUT THE EXPRESS WRITTEN CONSENT OF YASKAWA AMERICA, INC.		DRAWING #:		DD.UW1K.FR6.IP00			
IN[mm]	BY VIEW					A	R00	3 of 3	